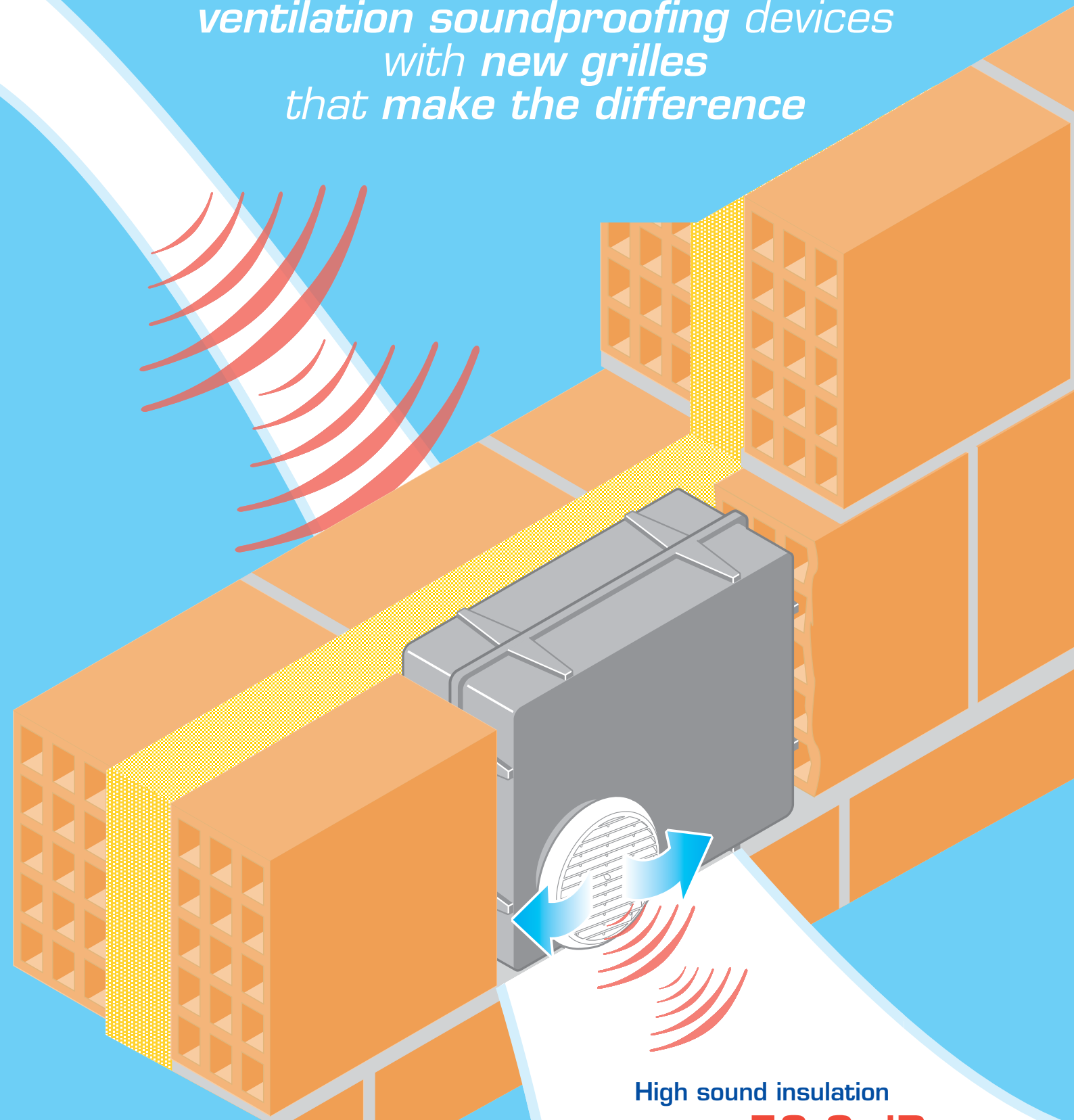


# RUMOR BLOCK<sup>®</sup>

*the smallest  
ventilation soundproofing devices  
with new grilles  
that make the difference*



**DANI System** s.r.l.

Via F. Rossi 1 - 47100 Forlì  
Tel.0543-404226 Fax:0543-414962

E-mail: [info@rumorblock.it](mailto:info@rumorblock.it)

High sound insulation  
**D<sub>n,e,w</sub> = 53,9 dB**

PAT.PEND.

[www.rumorblock.it](http://www.rumorblock.it)

## VENTILATION SLOT SOUND INSULATION

As set by regulation UNI CIG 7129/92 on safety, ventilation slots must be installed on building facades to bring in air from the outdoors necessary for combustion in kitchens with free flame gas devices, ovens or cook tops.

Wall slots must have 6 cm<sup>2</sup> net section per each installed kw of heating power, with a minimum of 100 cm<sup>2</sup>.

These slots, in addition to air flow, promote outdoor airborne noise transmission inside houses. Therefore, law 447/95 and D.P.C.M. dated 5/12/97 on external building wall sound insulation also apply to ventilation slots requiring the application of sound insulation devices on holes in the façade, meeting the following specifications.

Classification of living environments (DPCM 5/12/97 art. 2 - table A) and passive noise requirements for buildings and their components (DPCM 5/12/97, table B)

**D<sub>2m,nT,w</sub>** : standardised façade sound insulation index

Cat.	Destination	D <sub>2m,nT,w</sub>
A	Residential buildings and similar	≥ 40
B	Office buildings and similar	≥ 42
C	Hotels, rooming houses and similar	≥ 40
D	Hospitals, clinics, healthcare buildings and similar	≥ 45
E	School buildings at all educational levels and similar	≥ 48
F	Recreational or religious buildings and similar	≥ 42
G	Buildings used for retail activities and similar	≥ 42

The normalised sound insulation of small elements **D<sub>n,e,w</sub>** is calculated with a specific noise index in the laboratory according to **ISO 140-10**.

## RUMOR BLOCK TECHNICAL SPECIFICATIONS

In order to comply with the sound insulation indexes required by current regulation, **DANI System** s.r.l. of Forlì has designed 4 soundproofing devices called **RUMOR BLOCK** made of plastic material, with a 100 cm<sup>2</sup> net free section to be applied to ventilation slots on external building walls. **RUMOR BLOCK** contain a flexible, UL94 incombustible, water repellent polyurethane foam lining which does **not disperse fibres and does not crumble**.

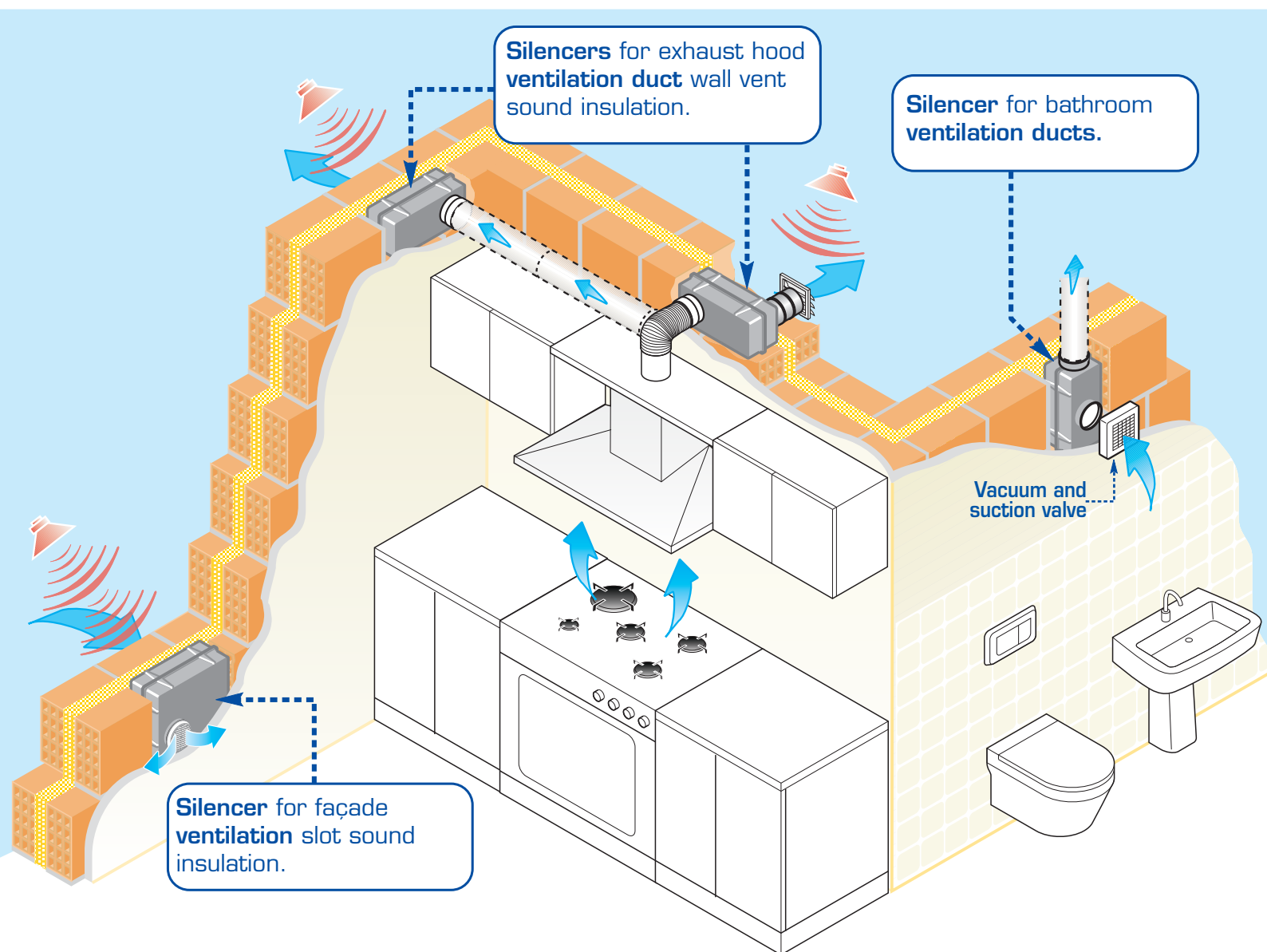
The exceptional soundproofing and dissipative properties are certified by the Giordano institute and, according to UNI EN ISO 717-1 and ISO 140-10 regulations, achieved an **extremely high** sound insulation level up to **D<sub>n,e,w</sub> = 53,9 dB**, superior to many sound insulators currently on the market for this application.

**This represents an additional guarantee that standardised façade acoustic requirements will be met for ventilation slots.**

# Rumor Block<sup>®</sup>

*the smallest  
ventilation soundproofing devices*

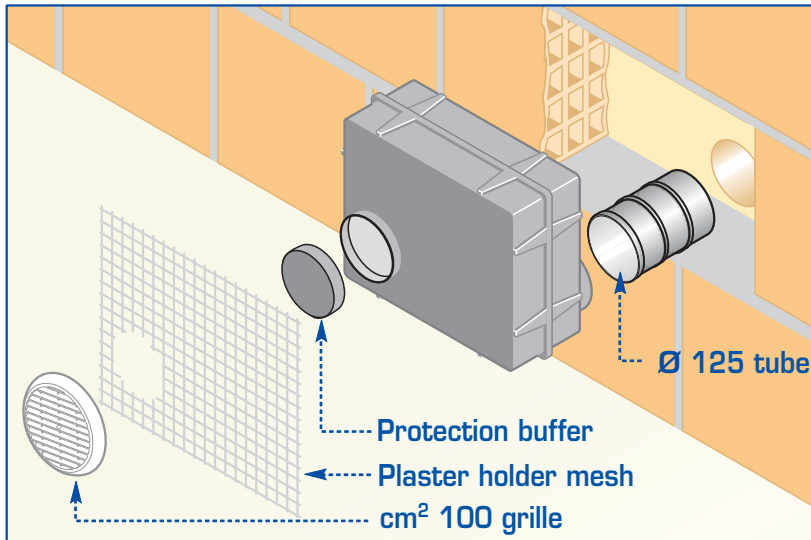
*equipped with new grates with  
lateral air flow separator*



# RUMOR BLOCK

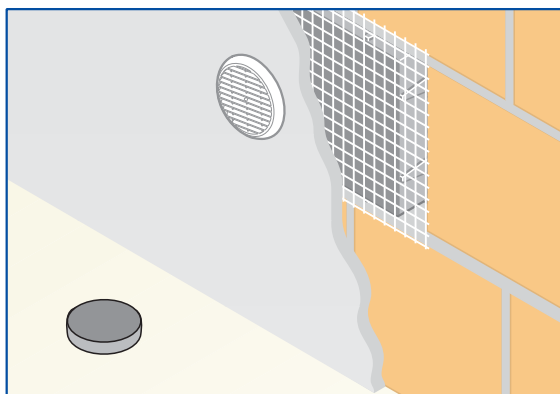
## SILENCERS FOR FAÇADE VENTILATION SLOT SOUND INSULATION

In all installations and even in kitchens with free flame gas devices, **RUMOR BLOCK** can be installed in both **horizontal and vertical slots** since the sole purpose of the vent is to bring in air necessary for combustion and circulate air and dilute any concentrations of otherwise hazardous gas leaks.



### INSTALLATION

**RUMOR BLOCK** slot fittings on both sides are male with 120 mm external diameter to be inserted in the supplied 125 mm diameter extension tube.

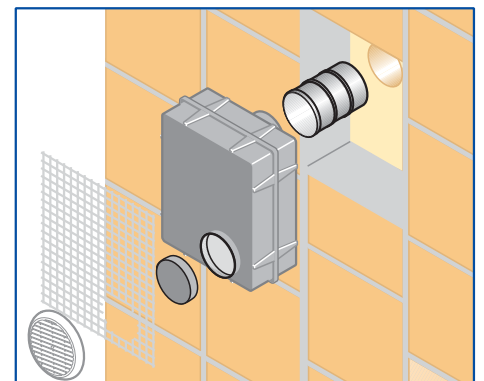
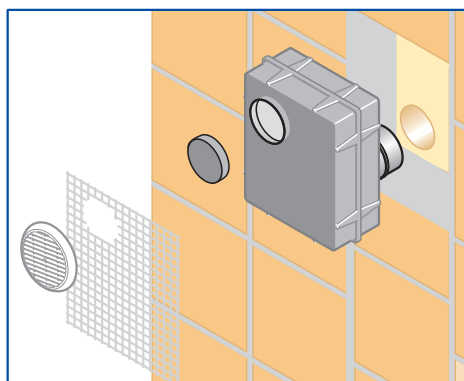
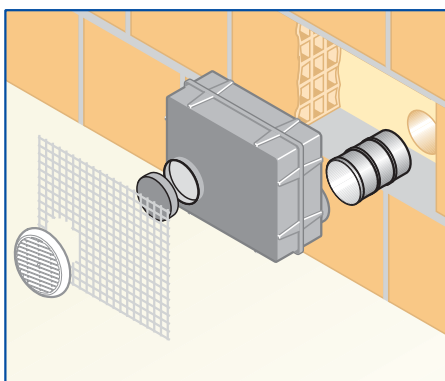


### FIBREGLASS PLASTER HOLDER MESH

A plaster holder mesh was installed on the external side of **RUMOR BLOCK** to facilitate plaster hold and avoid cracks.

**I The holes** are protected during installation by buffers (to avoid debris from entering) and will be removed before the grate is installed.

### OTHER POSITIONING EXAMPLES



# Rumor Block - SMALL AND SUPERIOR SOUND INSULATION TO BE APPLIED TO VENTILATION SLOTS



$D_{n,e,w} = 53,9 \text{ dB}$



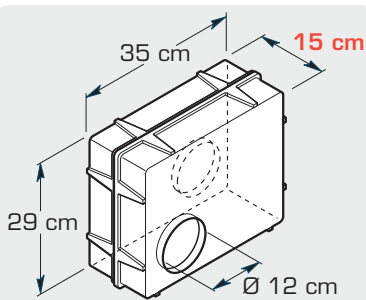
$D_{n,e,w} = 50 \text{ dB}$



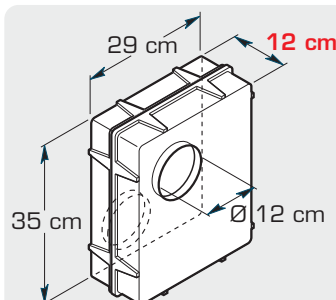
$D_{n,e,w} = 49,3 \text{ dB}$



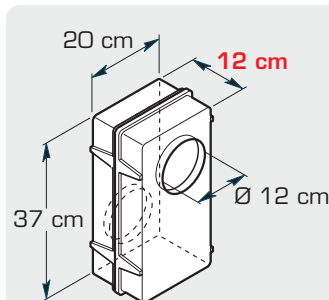
$D_{n,e,w} = 49,6 \text{ dB}$



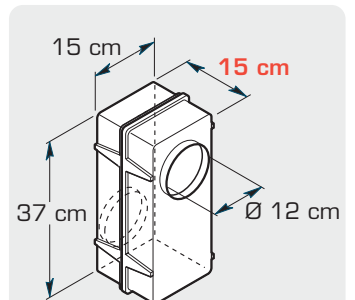
Model: **RB 15/35**



Model: **RB A12/29**



Model: **RB B12/20**

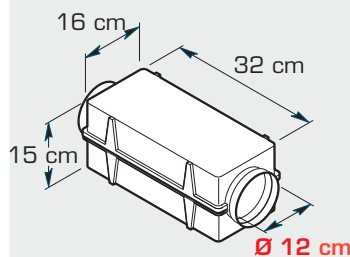


Model: **RB C15/15**

## RUMOR BLOCK with direct external slot

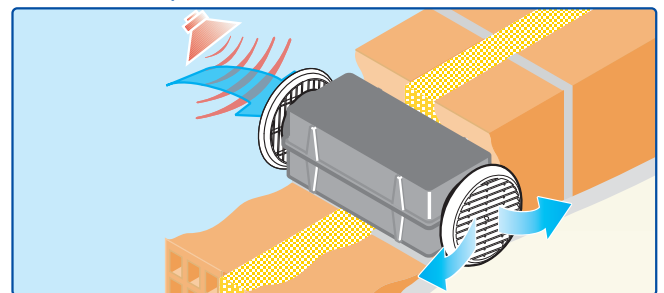


$D_{n,e,w} = 40,7 \text{ dB}$

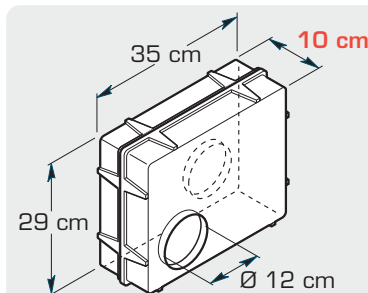


Model: **RB M120**

The internal sound insulation material is **removable** and re-usable. The sound insulation grilles with lateral flow separator and extension tube are included.



$D_{n,e,w} = 46,9 \text{ dB}$



Model: **RB A10/35**

**REDUCED DIMENSIONS:** The shape and reduced dimensions allow for fast installation

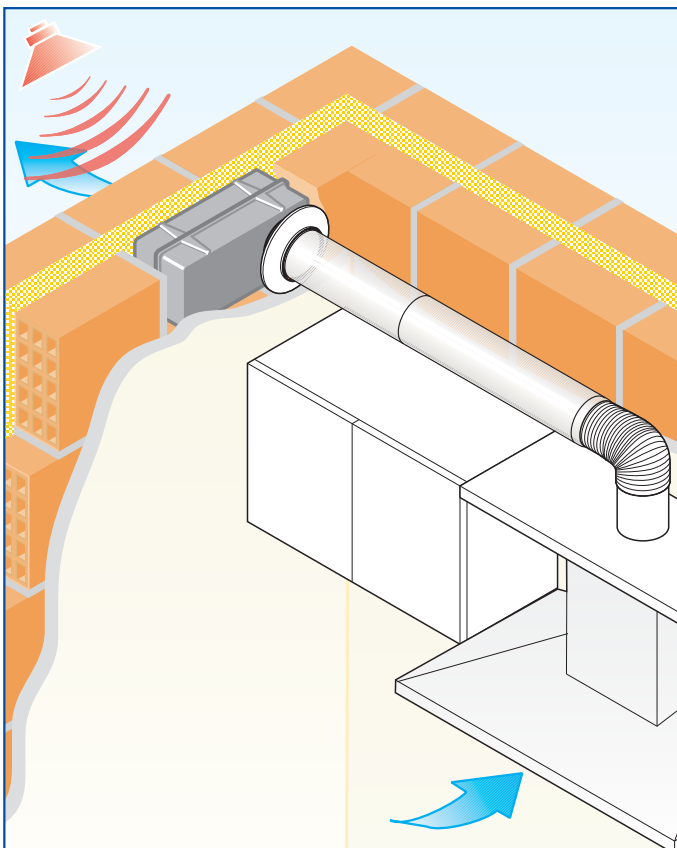
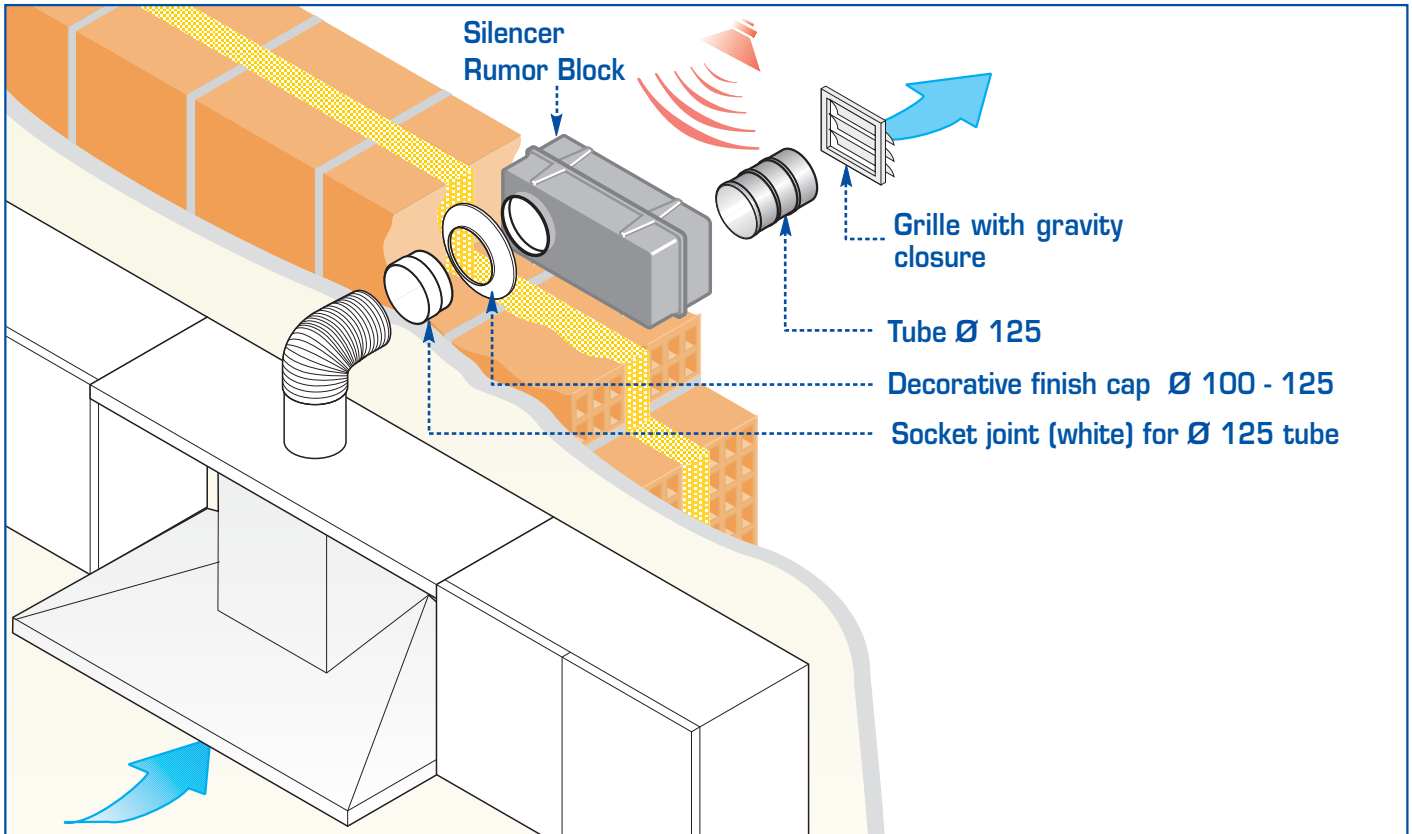
**HEAT INSULATION:** the heat-insulating plastic material and reduced dimensions cancel out heat energy loss from the façade.

**AIR PASSAGE:** 100 cm<sup>2</sup> for all models

# RUMOR BLOCK

## SILENCERS FOR EXHAUST HOOD VENTILATION DUCT CONNECTION HOLE NOISE INSULATION

**RUMOR BLOCK** can be installed in **wall holes** used to connect exhaust hood ventilation duct connection to meet noise requirements set by current regulations.



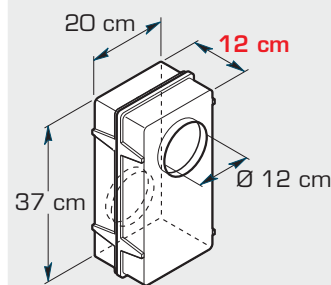
### MODELS RECOMMENDED FOR THESE APPLICATIONS



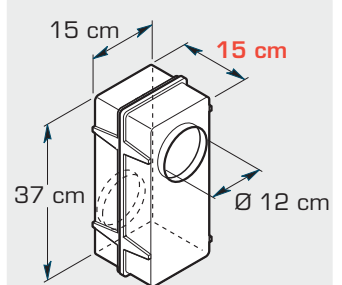
$D_{n,e,w} = 49,3 \text{ dB}$



$D_{n,e,w} = 49,6 \text{ dB}$



Model: **RB B12/20**

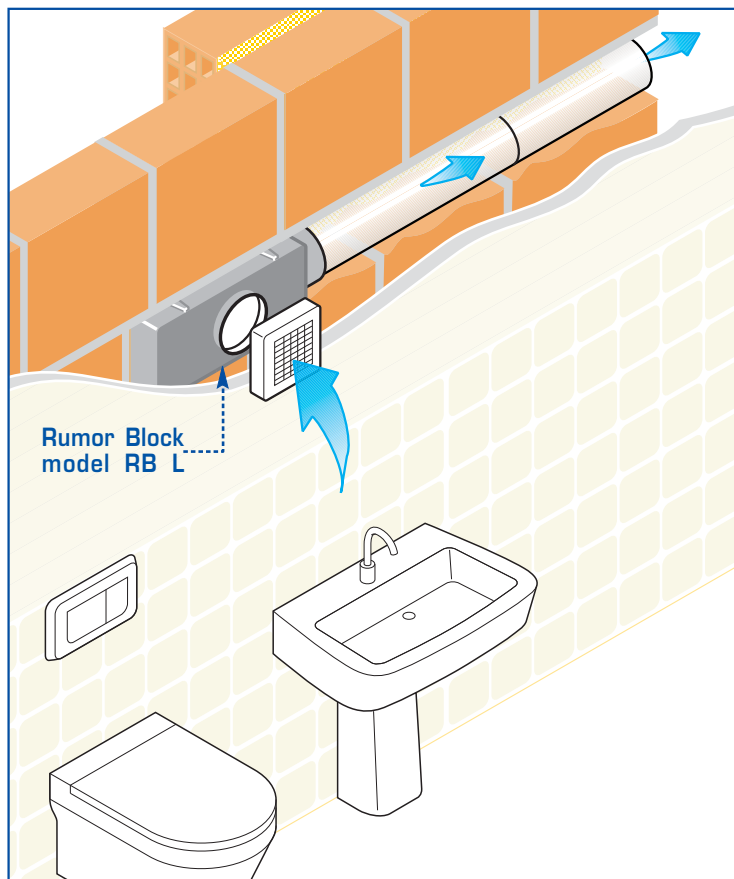
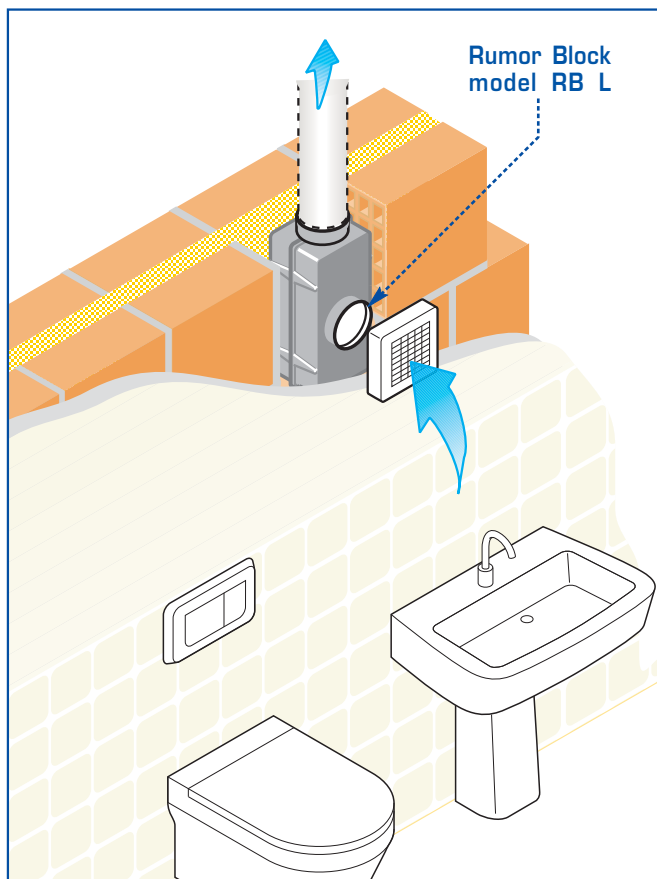
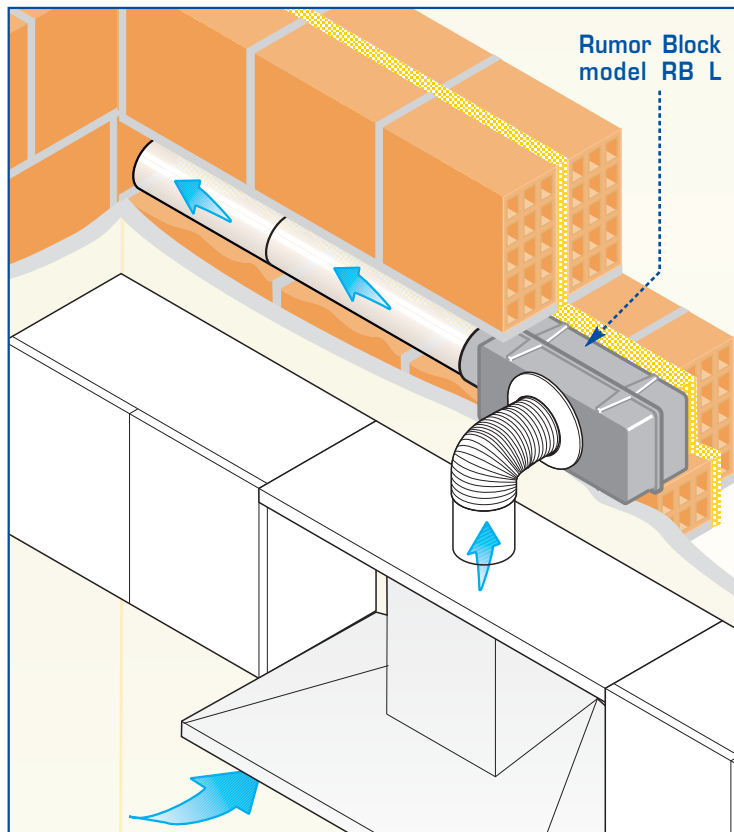
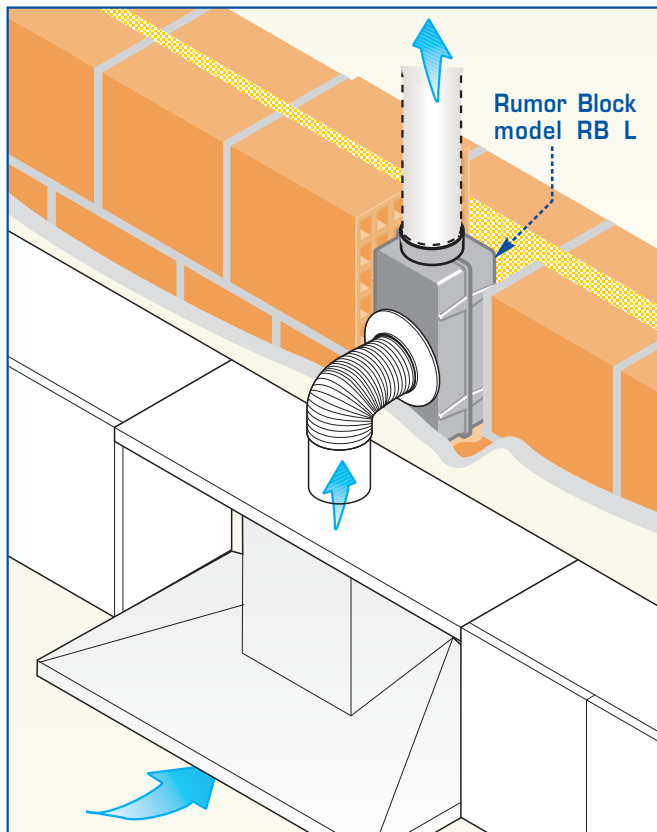


Model: **RB C15/15**

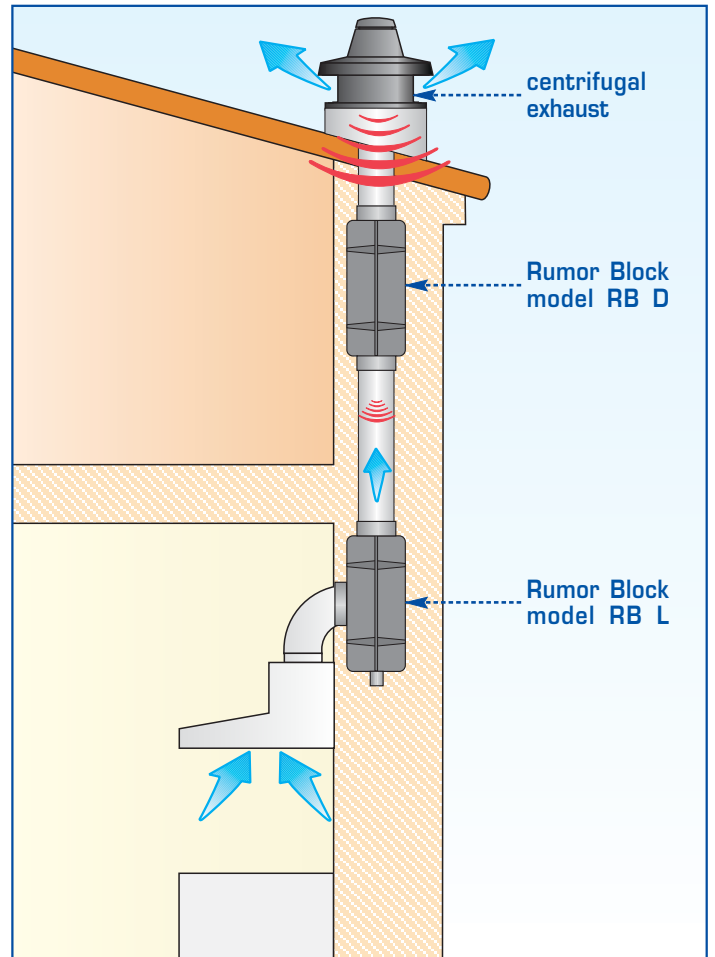
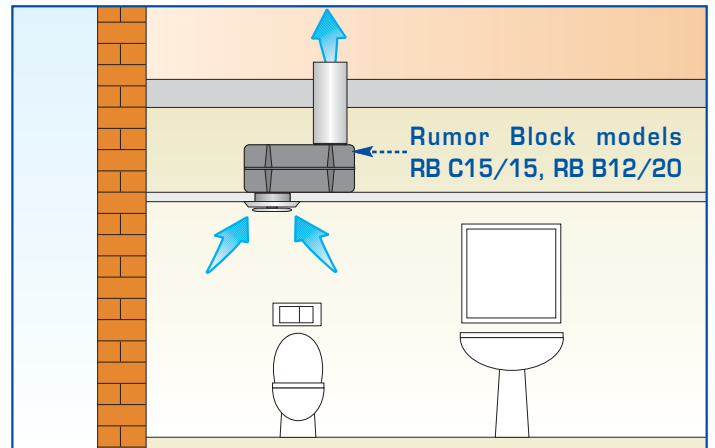
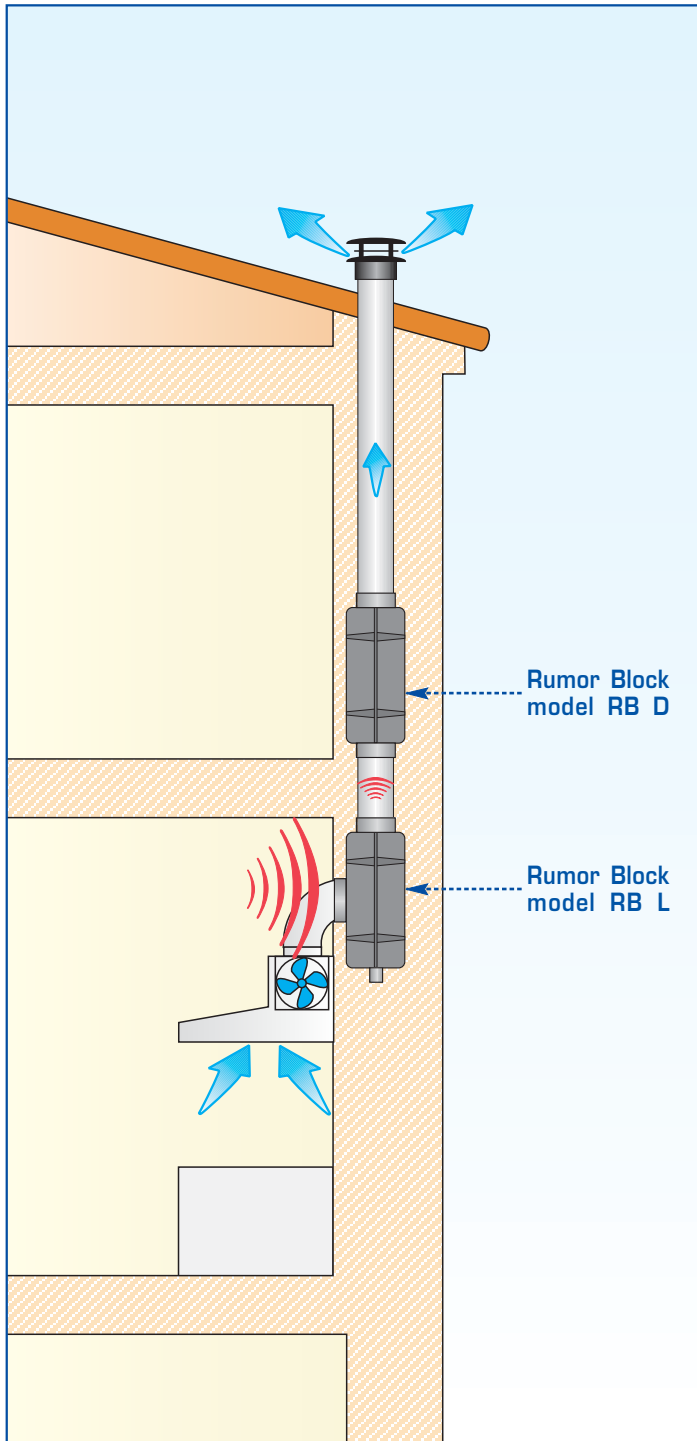
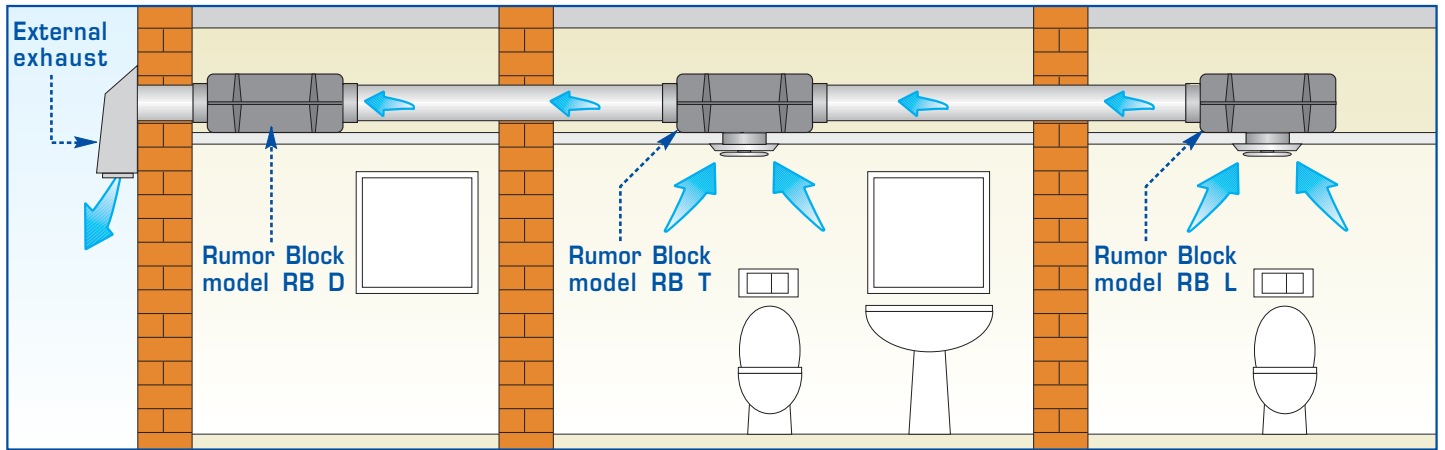
# RUMOR BLOCK

## KITCHEN AND BATHROOM VENTILATION DUCT SILENCERS

Simulations with fluid dynamics have identified **vortex flows** as the cause of irritating **noise emissions** along exhaust hood or bathroom fan exhaust ducts. Installing **RUMOR BLOCK** significantly reduces these noise emissions.

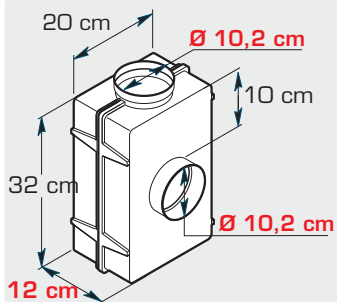


**FALSE CEILING APPLICATIONS WITH EXTERNAL WALL OR ROOF EXHAUSTS**

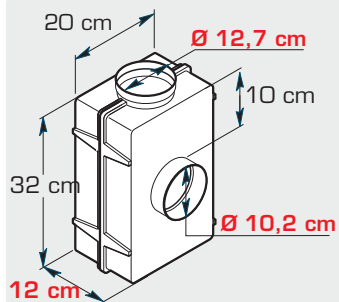


## RUMOR BLOCK 12 cm DEEP VENTILATION DUCTS

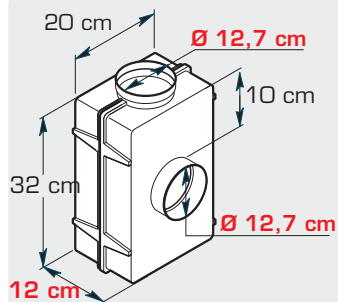
### RUMOR BLOCK MODELS TYPE RB 12L WITH CONDENSATE DRAIN Ø 32



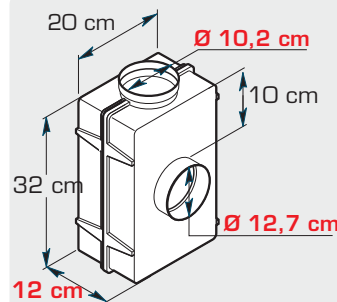
Model: **RB 12L10/10**



Model: **RB 12L10/12**

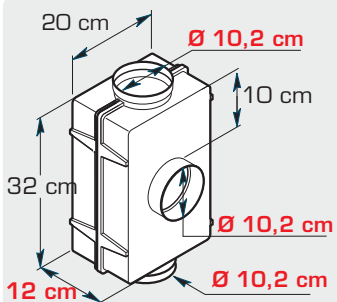


Model: **RB 12L12/12**

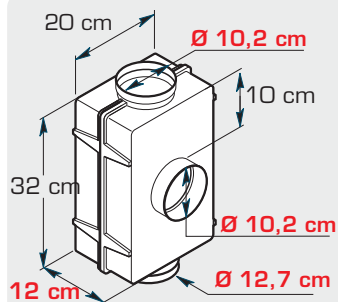


Model: **RB 12L12/10**

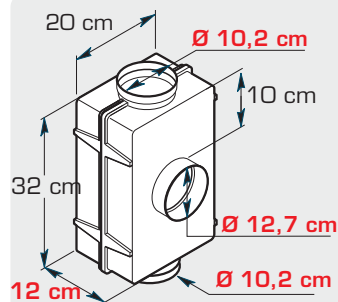
### RUMOR BLOCK MODELS TYPE RB 12T



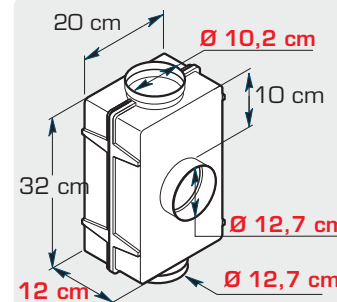
Mod. **RB 12T10/10/10**



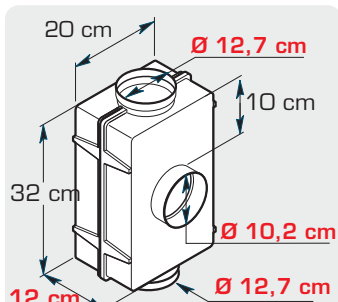
Mod. **RB 12T10/10/12**



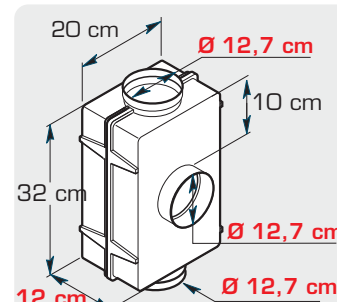
Mod. **RB 12T10/12/10**



Mod. **RB 12T10/12/12**

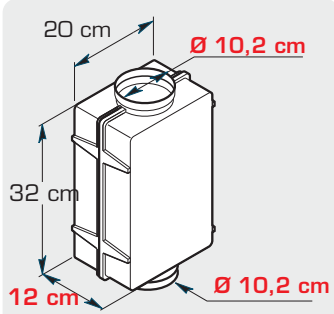


Mod. **RB 12T12/10/12**

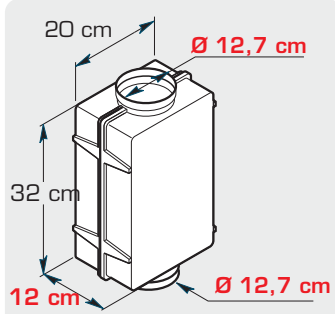


Mod. **RB 12T12/12/12**

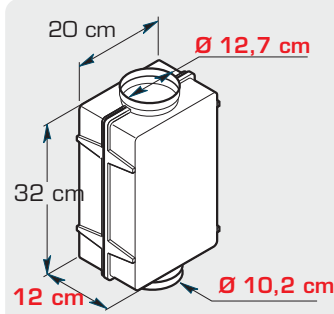
## RUMOR BLOCK MODELS TYPE RB 12D



Mod. **RB 12D10/10**



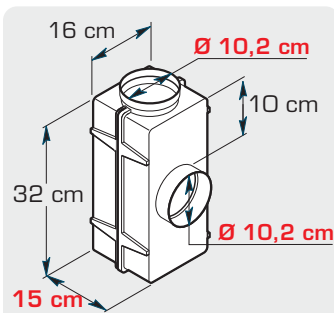
Mod. **RB 12D12/12**



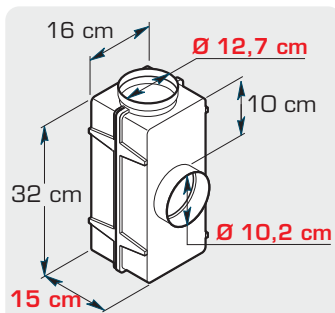
Mod. **RB 12D10/12**

## RUMOR BLOCK FOR 15 cm DEEP VENTILATION DUCTS

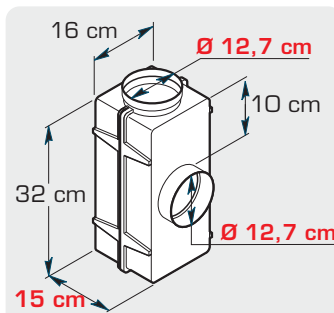
### RUMOR BLOCK MODELS TYPE RB 15L WITH CONDENSATE DRAIN Ø 32



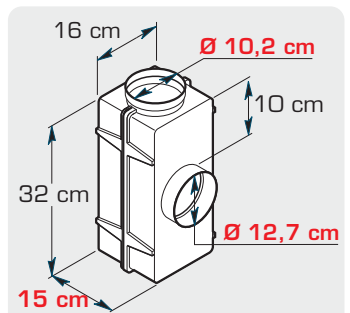
Model: **RB 15L10/10**



Model: **RB 15L10/12**

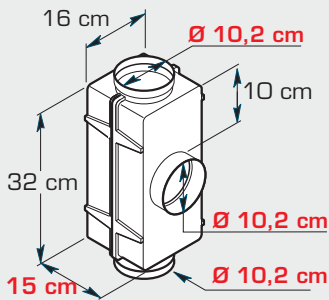


Model: **RB 15L12/12**

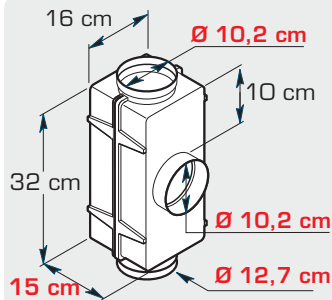


Model: **RB 15L12/10**

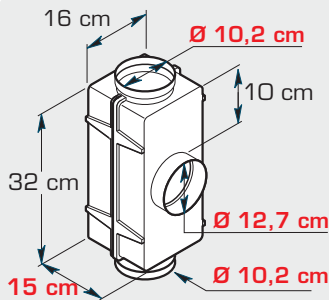
## RUMOR BLOCK MODELS TYPE RB 15T



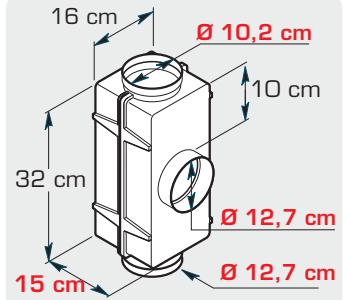
Mod. RB 15T10/10/10



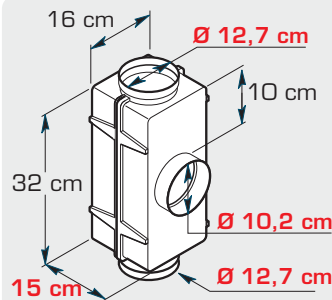
Mod. RB 15T10/10/12



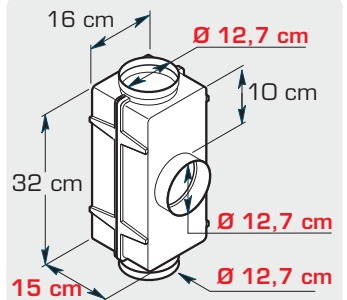
Mod. RB 15T10/12/10



Mod. RB 15T10/12/12

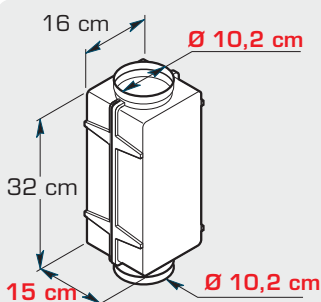


Mod. RB 15T12/10/12

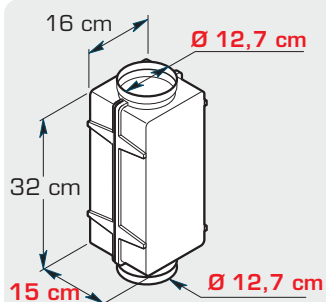


Mod. RB 15T12/12/12

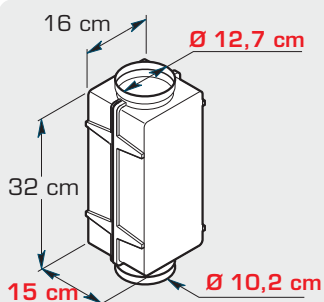
## RUMOR BLOCK MODELS TYPE RB 15D



Mod. RB 15D10/10

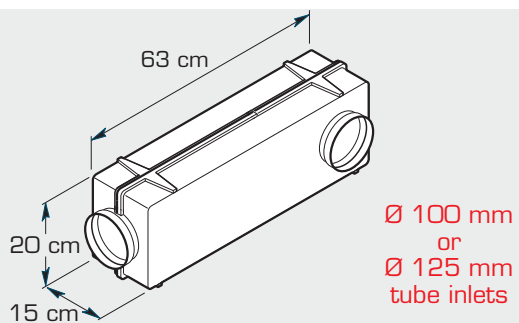


Mod. RB 15D12/12

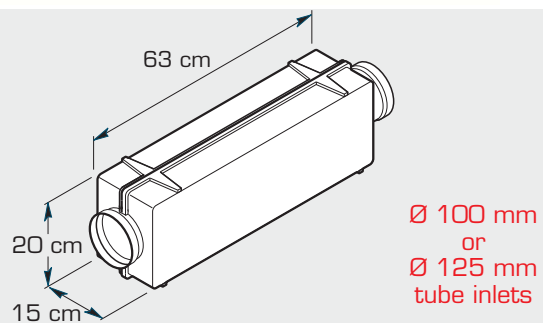


Mod. RB 15D10/12

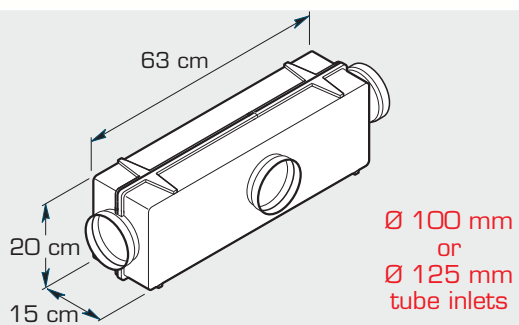
## RUMOR BLOCK MAXI FOR VENTILATION DUCTS



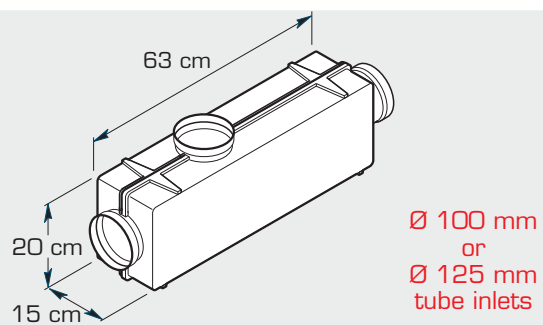
Model: **RB MAXI L**



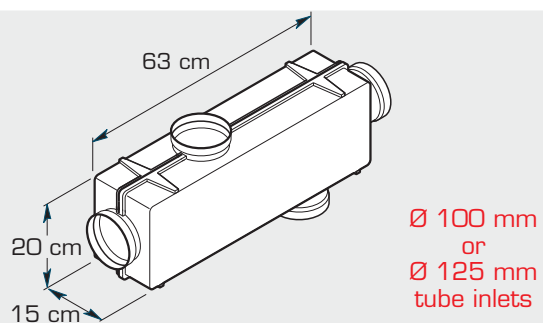
Model: **RB MAXI D**



Model: **RB MAXI T**



Model: **RB MAXI 3V**

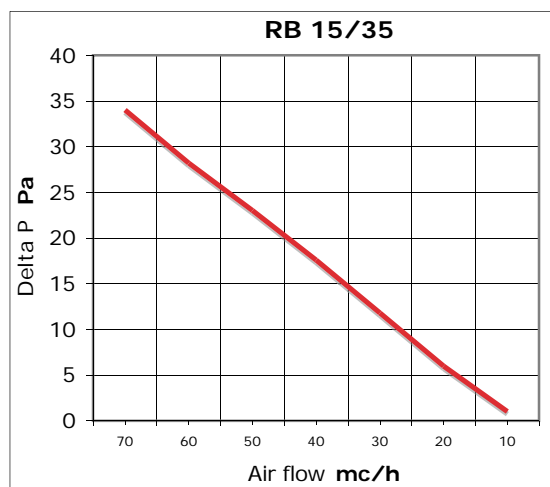
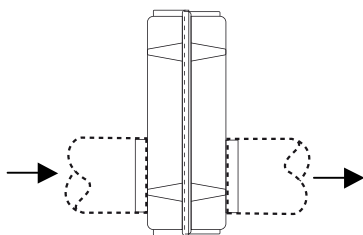


Model: **RB MAXI 4V**

# Rumor Block SILENCER AIR FLOW AND LOAD LOSS

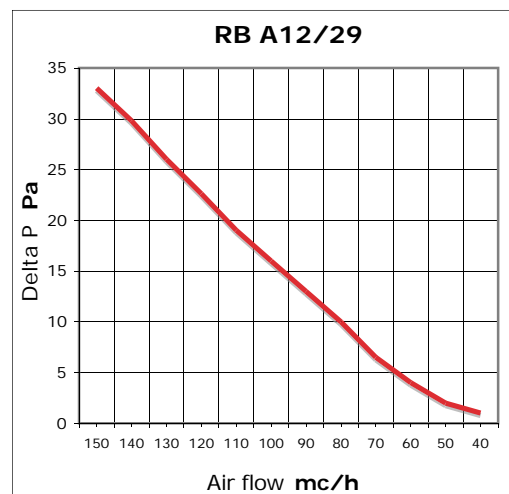
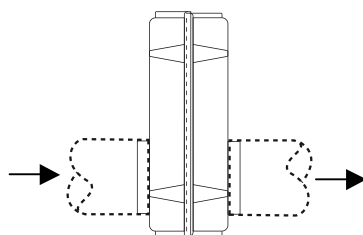
## MODEL RB 15/35 AIR FLOW AND LOAD LOSS

Model	RB 15/35	
<i>Qv mc/h</i>	<i>Delta P Pa</i>	
70	34	
60	28	
50	23	
40	18	
30	12	
20	6	
10	1	



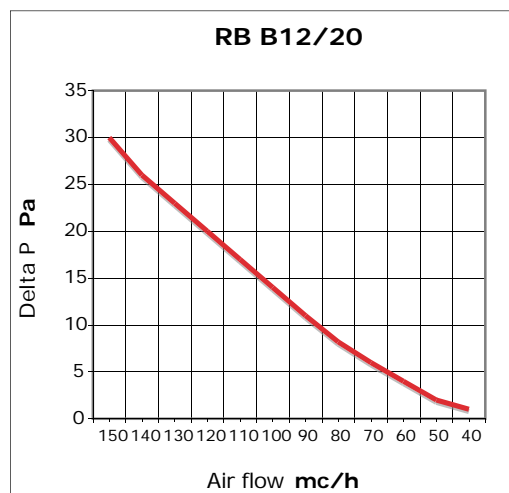
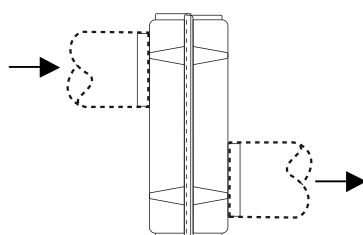
## MODEL RB A12/29 AIR FLOW AND LOAD LOSS

Model	RB A12/29	
<i>Qv mc/h</i>	<i>Delta P Pa</i>	
150	33	
140	30	
130	26	
120	23	
110	19	
100	16	
90	13	
80	10	
70	7	
60	4	
50	2	
40	1	



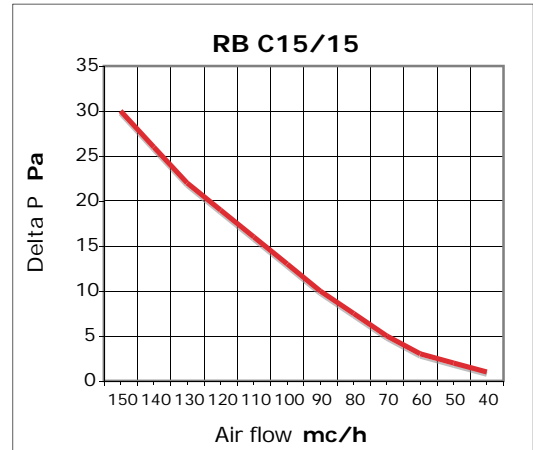
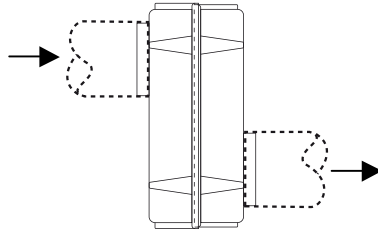
## MODEL RB B12/20 AIR FLOW AND LOAD LOSS

Model	RB B12/20	
<i>Qv mc/h</i>	<i>Delta P Pa</i>	
150	30	
140	26	
130	23	
120	20	
110	17	
100	14	
90	11	
80	8	
70	6	
60	4	
50	2	
40	1	



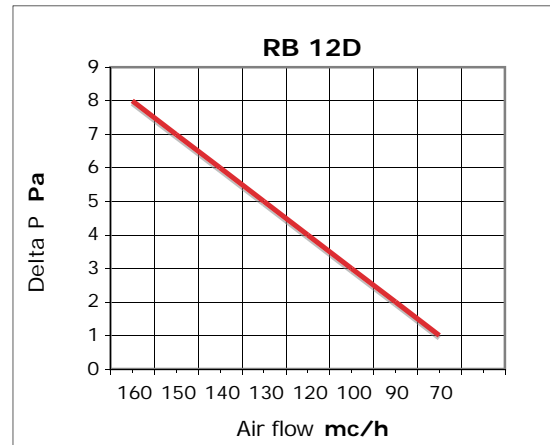
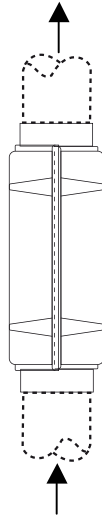
## MODEL RB C15/15 AIR FLOW AND LOAD LOSS

Model	RB C15/15	
<i>Qv mc/h</i>	<i>Delta P Pa</i>	
150	30	
140	26	
130	22	
120	19	
110	16	
100	13	
90	10	
80	8	
70	5	
60	3	
50	2	
40	1	



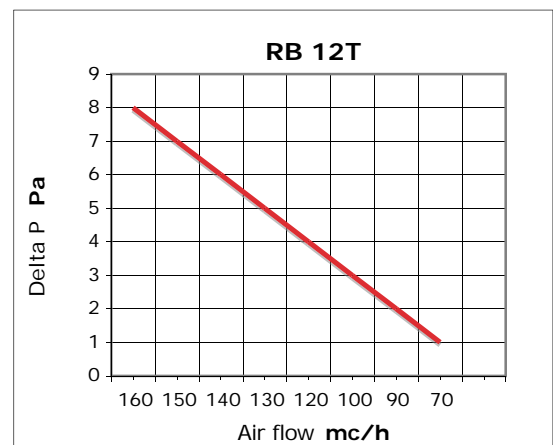
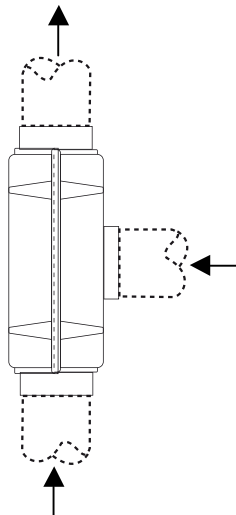
## MODEL RB 12D AIR FLOW AND LOAD LOSS

Model	RB 12D	
<i>Qv mc/h</i>	<i>Delta P Pa</i>	
160	8	
150	7	
140	6	
130	5	
120	4	
100	3	
90	2	
70	1	



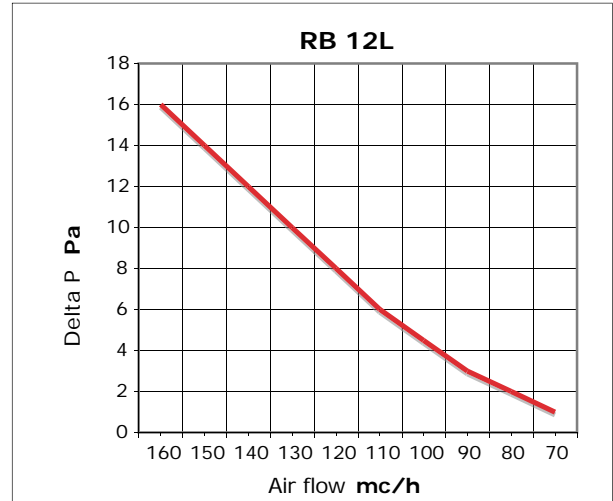
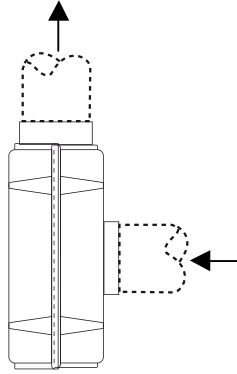
## MODEL RB 12T AIR FLOW AND LOAD LOSS

Model	RB 12T	
<i>Qv mc/h</i>	<i>Delta P Pa</i>	
160	8	
150	7	
140	6	
130	5	
120	4	
100	3	
90	2	
70	1	



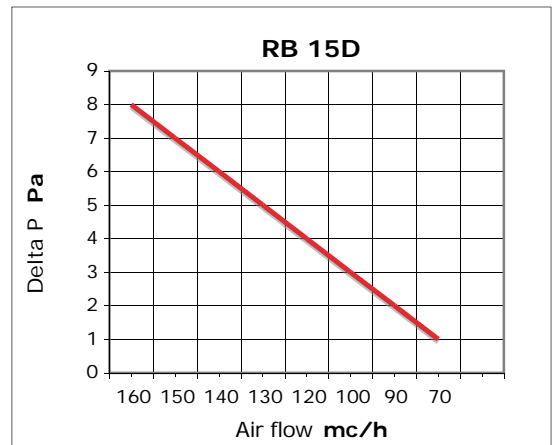
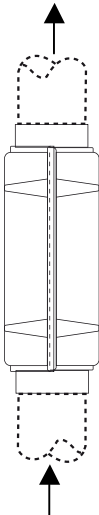
## MODEL RB 12L AIR FLOW AND LOAD LOSS

Model	RB 12L	
<i>Qv mc/h</i>	<i>Delta P Pa</i>	
160	16	16
150	14	14
140	12	12
130	10	10
120	8	8
110	6	6
100	5	5
90	3	3
80	2	2
70	1	1



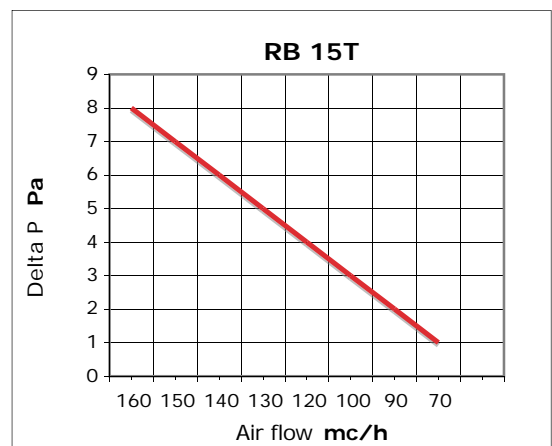
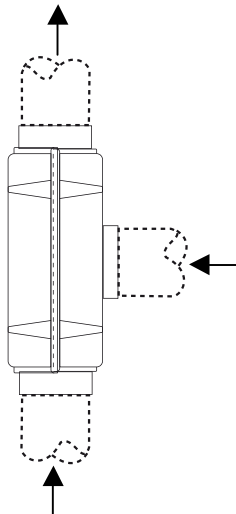
## MODEL RB 15D AIR FLOW AND LOAD LOSS

Model	RB 15D	
<i>Qv mc/h</i>	<i>Delta P Pa</i>	
160	8	8
150	7	7
140	6	6
130	5	5
120	4	4
100	3	3
90	2	2
70	1	1



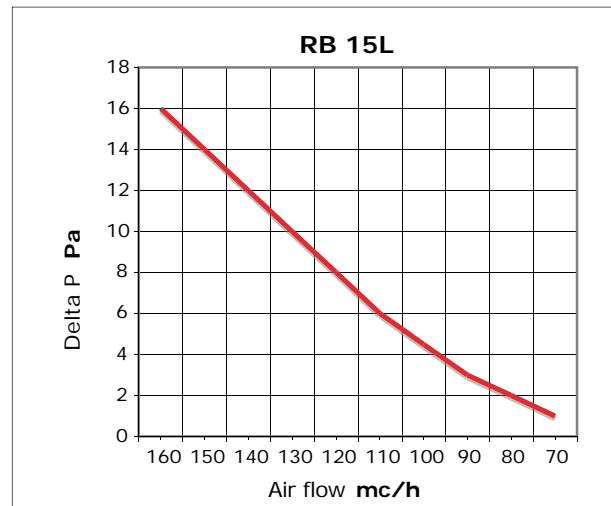
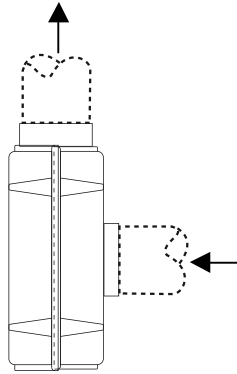
## MODEL RB 15T AIR FLOW AND LOAD LOSS

Model	RB 15T	
<i>Qv mc/h</i>	<i>Delta P Pa</i>	
160	8	8
150	7	7
140	6	6
130	5	5
120	4	4
100	3	3
90	2	2
70	1	1



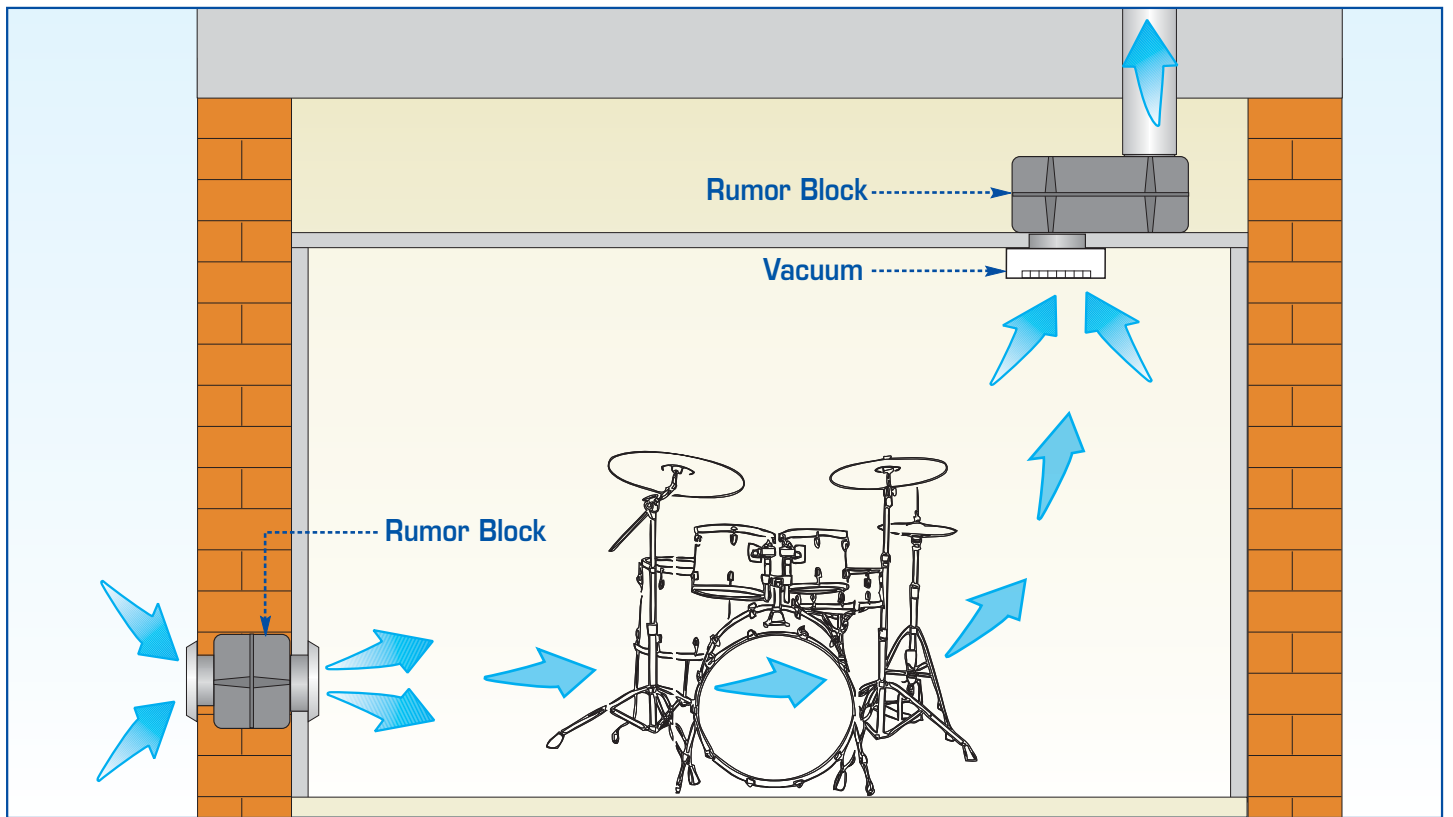
## MODEL RB 15L AIR FLOW AND LOAD LOSS

Model	RB 15L
<i>Qv mc/h</i>	<i>Delta P Pa</i>
160	16
150	14
140	12
130	10
120	8
110	6
100	5
90	3
80	2
70	1

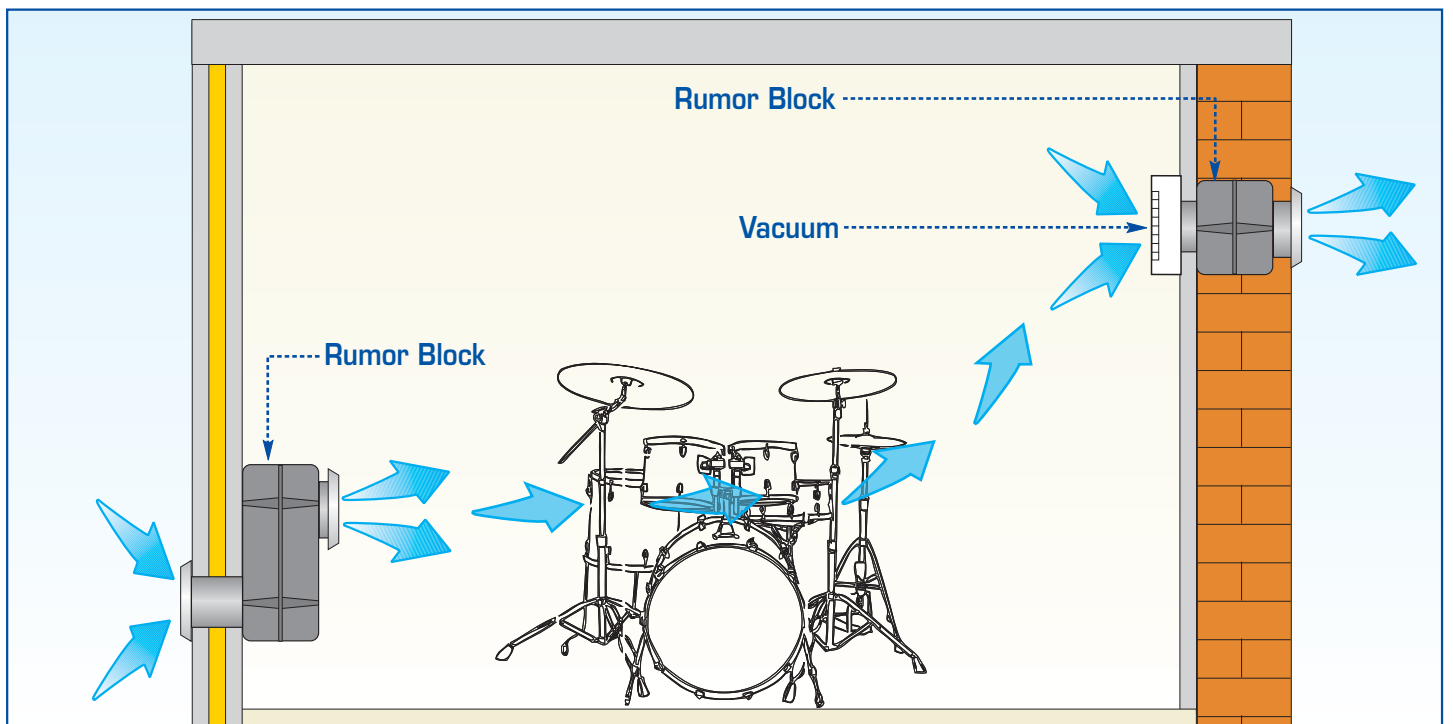


## Rumor Block

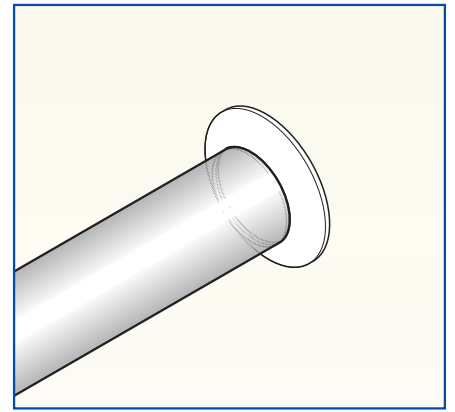
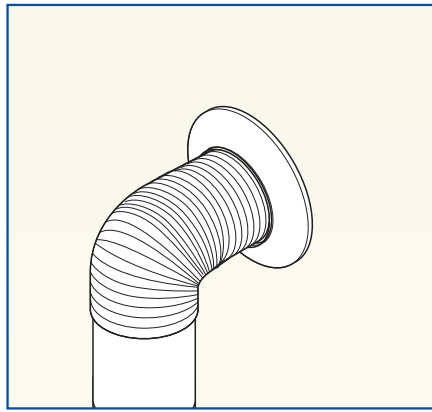
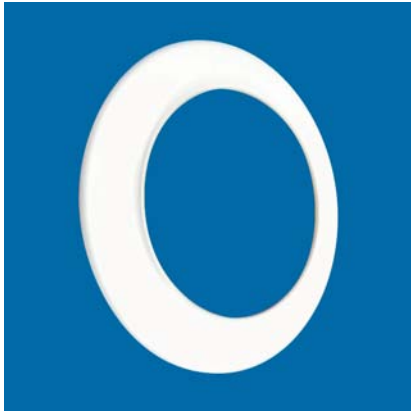
SOUND SILENCERS FOR RECORDING ROOM OR SOUNDPROOF MUSIC ROOM VENTILATION



In thinner walls, Rumor Block can be applied to either the inside or outside



## FINISHING DECORATIVE CAPS FOR FLEXIBLE OR PVC TUBES



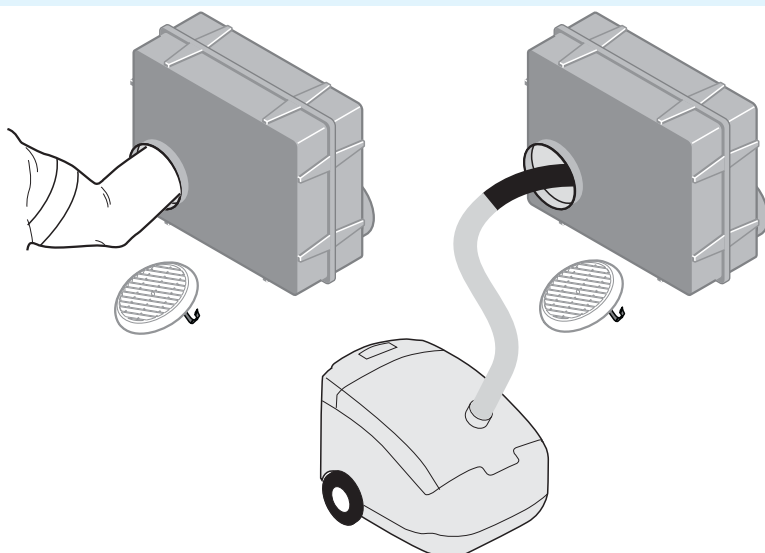
CODE	INTERNAL Ø mm	EXTERNAL Ø mm	HEIGHT mm	PRICE (Euro)
RD064	Ø 64	Ø 124	10	3,50 + sc. sconti
RD081	Ø 81	Ø 141	10	3,50 + sc. sconti
RD091	Ø 91	Ø 151	10	3,50 + sc. sconti
RD101	Ø 101	Ø 161	10	3,50 + sc. sconti
RD111	Ø 111	Ø 171	10	3,50 + sc. sconti
RD126	Ø 126	Ø 186	10	3,50 + sc. sconti
RD131	Ø 131	Ø 191	10	3,50 + sc. sconti
RD141	Ø 141	Ø 201	10	3,50 + sc. sconti
RD151	Ø 151	Ø 211	10	3,50 + sc. sconti
RD161	Ø 161	Ø 221	10	3,50 + sc. sconti

## INSPECTIONS AND CLEANING

Due to their shape and internal soundproofing material position, **Rumor Block** can be **inspected**.

Therefore, we suggest you position **Rumor Block** inside the building for periodic inspections.

It can even be **periodically cleaned** with a **vacuum**.

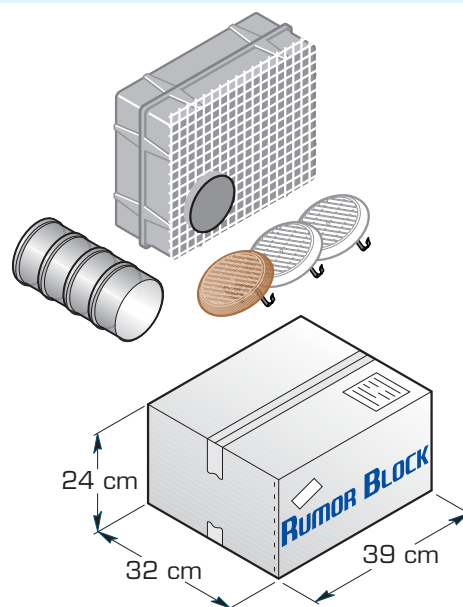


## PACKING

**Rumor Block** is supplied in single cardboard box packages size 39 x 32 x 24 h and weight 1.9 kg.

### BOX CONTENTS

- nr. 1 Black Rumor Block
- nr. 1 fibreglass plaster holder mesh, installed
- nr. 3 grilles with lateral flow separator
  - nr.2 white
  - nr.1 copper.
- nr. 1 module extension tube  $\varnothing$  125
  - 4 pieces (21 cm) for Rumor Block 15 cm deep
  - 5 pieces (26 cm) for Rumor Block 12 cm deep
  - elements (5 cm) can be added upon request for thicker walls



## SPECIFICATIONS

Specifications for the various Rumor Block models can be downloaded from the website home page.



### ADVANTAGES OF CHOOSING **Rumor Block**

- 1 - exceptional sound insulation up to **53,9 dB**
- 2 - the smallest
- 3 - permit inspections
- 4 - lightweight (1 kg)
- 5 - close input and output slots (5/10 cm)
- 6 - the only ones equipped with 3 soundproof material grates with flow separator
- 7 - includes fibreglass plaster holder mesh
- 8 - includes  $\varnothing$  125 modular extension tube
- 9 - no minimum purchase requirements
- 10 - the most economical  
**€ 62,00 + discounts**

**DANI System** s.r.l.

## SALES CONDITIONS FOR ALL RUMOR BLOCK MODELS

### DIRECT SALE

<b>SUPPLY</b>	: Without minimum purchase - in single package
<b>PRICE</b>	: € 62,00 each + VAT 20%
<b>DISCOUNTS</b>	: 1 piece ..... € 62,00 each + VAT 20% + fixed transport fee € 9,00 + VAT 20%
	: From 2 to 5 pieces ..... € 62,00 each + VAT 20% <b>3% discount</b> transport fees at our expense.
	: From 6 to 11 pieces ..... € 62,00 each + VAT 20% <b>6% discount</b> transport fees at our expense.
	: From 12 to 23 pieces ..... € 62,00 each + VAT 20% <b>9% discount</b> transport fees at our expense.
	: From 24 piece and over... € 62,00 each + VAT 20% <b>12% discount</b> transport fees at our expense.
<b>DELIVERY SCHEDULES</b>	: Goods in stock and ready for delivery within 24/48 hours.
<b>PAYMENTS</b>	: <b>Advanced wire transfer</b> on dispatch notice. <b>5% discount</b>
<b>RETURNS POLICY</b>	: See information sheet at <a href="http://www.rumorblock.it">www.rumorblock.it</a>
<b>ORDERS</b>	: Orders accepted via Fax +39 0543 414962, or on-line at <a href="http://www.rumorblock.it">www.rumorblock.it</a>

## SALES CONDITIONS FOR ALL DECORATIVE SLOT CAPS

### DIRECT SALE

<b>SUPPLY</b>	: Without minimum purchase
<b>PRICE</b>	: € 3,50 each + VAT 20%
<b>DISCOUNTS</b>	: From 1 to 5 pieces .....€ 3,50 each + VAT 20% + fixed transport fee € 5,00 + VAT 20%
	: From 6 to 25 pieces .....€ 3,50 each + VAT 20% <b>5% discount</b> transport fees at our expense.
	: From 26 to 50 pieces .....€ 3,50 each + VAT 20% <b>10% discount</b> transport fees at our expense.
	: From 51 to 75 pieces ..... € 3,50 each + VAT 20% <b>20% discount</b> transport fees at our expense.
	: From 76 to 100 pieces .... € 3,50 each + VAT 20% <b>30% discount</b> transport fees at our expense.
	: From 101 pieces and over... € 3,50 each + VAT 20% <b>40% discount</b> transport fees at our expense.
<b>DELIVERY SCHEDULES</b>	: Goods in stock and ready for delivery within 24/48 hours.
<b>PAYMENTS</b>	: <b>Advanced wire transfer</b> on dispatch notice. <b>5% discount</b>
<b>RETURNS POLICY</b>	: See information sheet at <a href="http://www.rumorblock.it">www.rumorblock.it</a>
<b>ORDERS</b>	: Orders accepted via Fax +39 0543 414962, or on-line at <a href="http://www.rumorblock.it">www.rumorblock.it</a>

# RUMOR BLOCK FAX ORDER FORM

**RUMOR BLOCK complete with:** 2 white grilles with flow separator - 1 copper-coloured grille with flow separator - 1 plaster holder mesh - 1 Ø 125 modular extension tube

<input type="checkbox"/> RB 15/35	N.	<input type="checkbox"/> RB B12/20	N.
<input type="checkbox"/> RB A12/29	N.	<input type="checkbox"/> RB C15/15	N.
<input type="checkbox"/> RB A10/35	N.	<input type="checkbox"/> RB M120	N.

**RUMOR BLOCK type "L"** N.B. please select from the accessories listed below.

<input type="checkbox"/> RB 12L10/10	N.	<input type="checkbox"/> RB 15L10/10	N.
<input type="checkbox"/> RB 12L10/12	N.	<input type="checkbox"/> RB 15L10/12	N.
<input type="checkbox"/> RB 12L12/12	N.	<input type="checkbox"/> RB 15L12/12	N.
<input type="checkbox"/> RB 12L12/10	N.	<input type="checkbox"/> RB 15L12/10	N.

**RUMOR BLOCK type "T"** N.B. please select from the accessories listed below.

<input type="checkbox"/> RB 12T10/10/10	N.	<input type="checkbox"/> RB 15T10/10/10	N.
<input type="checkbox"/> RB 12T10/10/12	N.	<input type="checkbox"/> RB 15T10/10/12	N.
<input type="checkbox"/> RB 12T10/12/10	N.	<input type="checkbox"/> RB 15T10/12/10	N.
<input type="checkbox"/> RB 12T10/12/12	N.	<input type="checkbox"/> RB 15T10/12/12	N.
<input type="checkbox"/> RB 12T12/10/12	N.	<input type="checkbox"/> RB 15T12/10/12	N.
<input type="checkbox"/> RB 12T12/12/12	N.	<input type="checkbox"/> RB 15T12/12/12	N.

**RUMOR BLOCK type "D"** N.B. please select from the accessories listed below.

<input type="checkbox"/> RB 12D10/10	N.	<input type="checkbox"/> RB 15D10/10	N.
<input type="checkbox"/> RB 12D12/12	N.	<input type="checkbox"/> RB 15D12/12	N.
<input type="checkbox"/> RB 12D10/12	N.	<input type="checkbox"/> RB 15D10/12	N.

**RUMOR BLOCK MAXI** N.B. please select from the accessories listed below.

<input type="checkbox"/> RB MAXI L	N.	<input type="checkbox"/> RB MAXI D	N.
<input type="checkbox"/> RB MAXI T	N.	<input type="checkbox"/> RB MAXI 3V	N.
<input type="checkbox"/> RB MAXI 4V	N.		

**ACCESSORIES AVAILABLE FOR RUMOR BLOCK MODELS "L" - "T" - "D" - MAXI**

<input type="checkbox"/> Griglia con molla	N.	<input type="checkbox"/> Rosone copriforo Ø 101	N.
<input type="checkbox"/> Griglia a gravità	N.	<input type="checkbox"/> Rosone copriforo Ø 126	N.

**White plastic decorative slot caps**

<input type="checkbox"/> RD064 Ø 64	N.	<input type="checkbox"/> RD111 Ø 111	N.	<input type="checkbox"/> RD151 Ø 151	N.
<input type="checkbox"/> RD081 Ø 81	N.	<input type="checkbox"/> RD126 Ø 126	N.	<input type="checkbox"/> RD161 Ø 161	N.
<input type="checkbox"/> RD091 Ø 91	N.	<input type="checkbox"/> RD131 Ø 131	N.		
<input type="checkbox"/> RD101 Ø 101	N.	<input type="checkbox"/> RD141 Ø 141	N.		

Surname Name: \_\_\_\_\_ Company: \_\_\_\_\_  
 Tax code: \_\_\_\_\_ VAT number: \_\_\_\_\_  
 Address: \_\_\_\_\_  
 Postal code: \_\_\_\_\_ City: \_\_\_\_\_ Province: \_\_\_\_\_  
 Telephone: \_\_\_\_\_ Fax: \_\_\_\_\_  
 Shipping address other than the above \_\_\_\_\_

Date:..... Signature:.....

**DANI System s.r.l.**

Tel.0543-404226 Fax:0543-414962 E-mail: info@rumorblock.it

Via F. Rossi 1 - 47100 Forlì

C.F./P.I. : 03748720400